

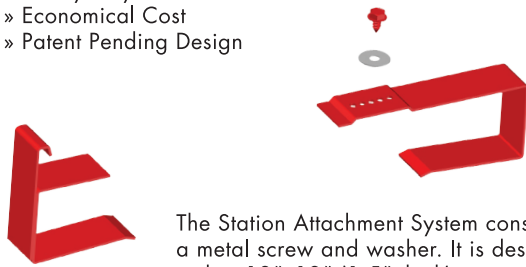


Rodent Station Attachment System

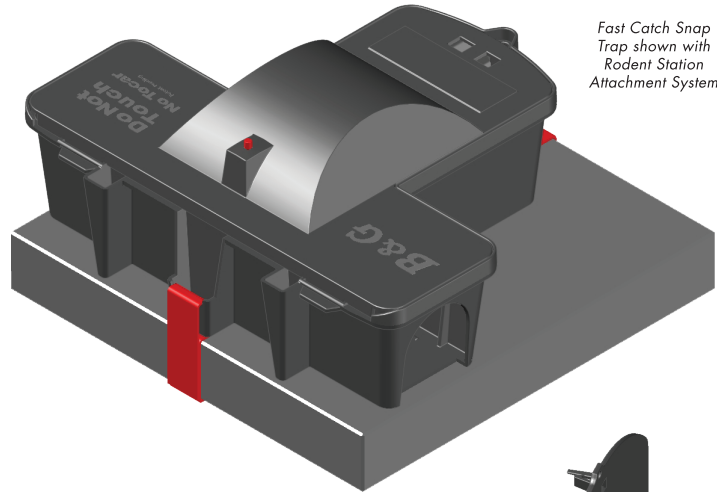
RODENT STATION ATTACHMENT SYSTEM

An easy and economical way to secure the Fast Catch and Rodent Bait Station

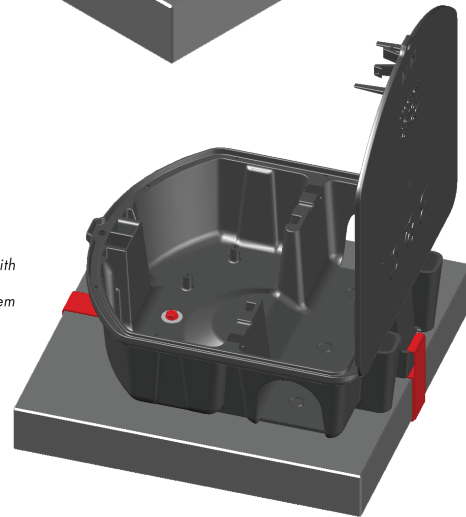
- » Attaches any B&G Rodent Station to a 12" x 12" paver block
- » Installs in less than 30 seconds
- » Heavy duty steel construction
- » Economical Cost
- » Patent Pending Design



The Station Attachment System consists of 2 clamps, a metal screw and washer. It is designed for use with a 12"x12" (1.5" thick) concrete paver, and only with B&G rodent stations.



Fast Catch Snap Trap shown with Rodent Station Attachment System



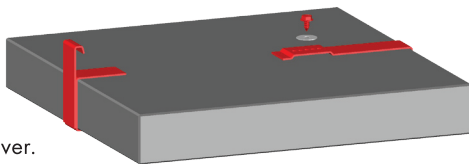
Rodent Bait Station shown with Rodent Station Attachment System

ORDER#	DESCRIPTION
25000260-C	Attachment System Kit
35000215	Rodent Station Black Pallet with Attachment System
35000320	Fast Catch - Black Pallet with Attachment System
35000321	Fast Catch Alert Pallet with Attachment System

To see a video of the Attachment System, visit us on the web at www.bgequip.com

INSTRUCTIONS:

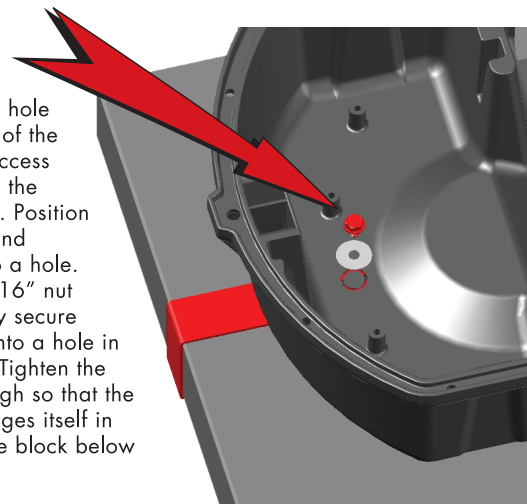
1. Slide the clamps onto the opposite sides of the paver.



2. The back of B&G rodent station will hook onto back clamp. The front of the B&G rodent station will attach to the front clamp using the metal screw and washer.



3. Open the "knock-out" hole at the front of the station to access the holes in the front clamp. Position the screw and washer into a hole. Using a 5/16" nut driver firmly secure the screw into a hole in the clamp. Tighten the screw enough so that the screw engages itself in the concrete block below the clamp.



B&G Equipment Company

135 Region South Drive • Jackson, GA 30233 • 678-688-5601 • Toll Free 800-544-8811 • Fax 678-688-5633 • www.bgequip.com